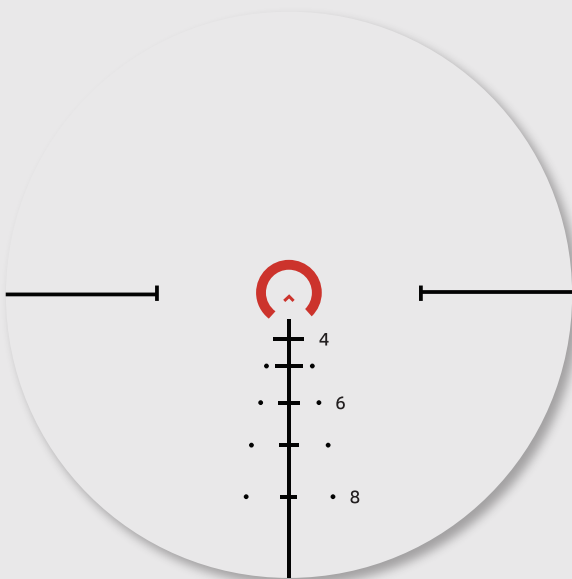
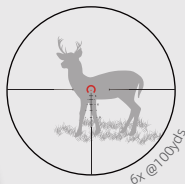
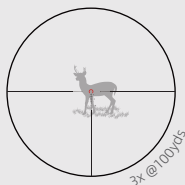
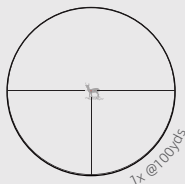


VCT-BNW MIL FFP RETICLE

The VCT-BNW reticle is a great choice for those with a .22 caliber rifle. It features a bullet drop compensation (BDC) system that's correlated with range estimation and wind holds, making it ideal for tactics, hunting, or competition use.

This reticle improves your first hit ratio and decreases time on target. It's specifically designed for shooting range clays, cans, bottles, and other targets. With this reticle, you'll be able to fully utilize the ranging features and bullet drop compensation in no time. The BDC system makes it easy for adjusting your aim based on distance, so you can make quick and accurate shots without the need for a separate rangefinder or ballistic calculator.



Red indicated illuminated portion of the reticle

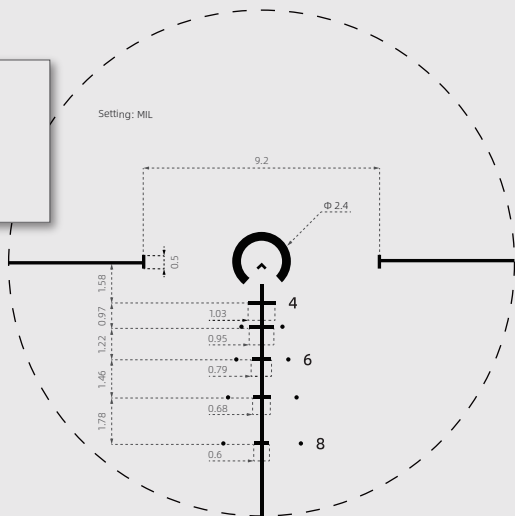
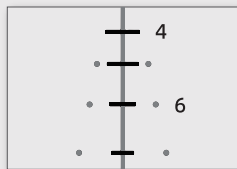
COMPENSATION BULLET DROP

The VCT-BNW reticle is designed for bullet drop compensation, shooters can estimate bullet holdover at different distances. The BDC starts at the center dot and finishes at the mark indicated by the number 8, can offer bullet-drop reference for all distances.

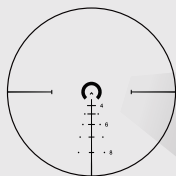
The VCT-BNW reticle is designed to follow the trajectory of a .223 rifle bullet, with the gap increasing each time to better match fixed distances.

There are various firearms that the VCT-BNW reticle can be used with, like high powered rifles, rimfire rifles, black powder rifles, slug shotguns and so on. The hash marks of this reticle can also be used as reference for bullet drift compensation in windy days or to estimate range.

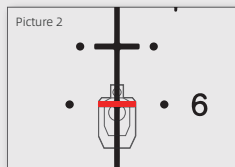
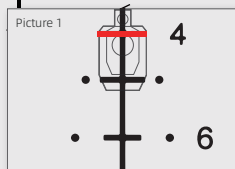
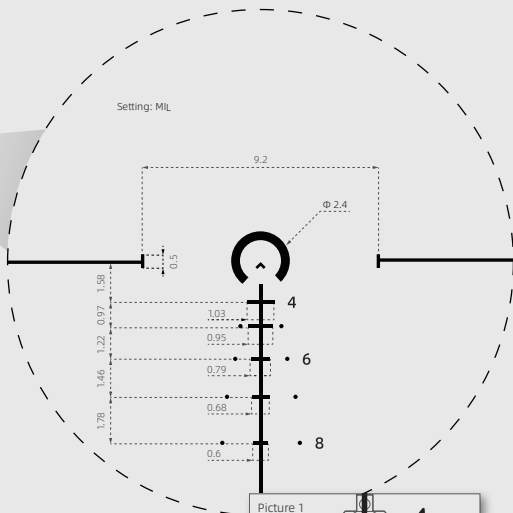
Exhibit



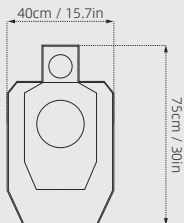
FAST RANGING



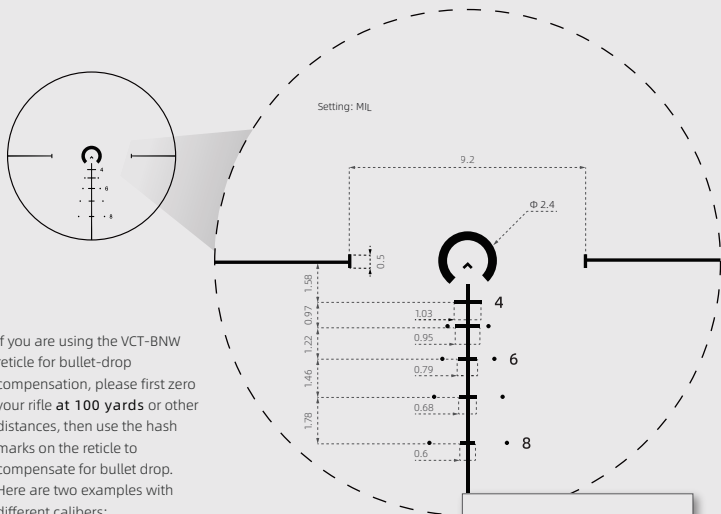
With the VCT-BNW reticle, you can achieve fast-ranging. Start to zero using the center dot at 100 meters, then horizontally align the width of the target, an approximate distance can be obtained. Check out the picture below for reference. In the example picture 1, the target's shoulder width aligns with the hash mark 4, which means that the target is 400 meters away. In the example picture 2, the target's shoulder width aligns with the hash mark 6, which means that the target is 600 meters away.



Red indicates the shoulder width of the target



USING FOR BULLET DROP COMPENSATION



If you are using the VCT-BNW reticle for bullet-drop compensation, please first zero your rifle **at 100 yards** or other distances, then use the hash marks on the reticle to compensate for bullet drop. Here are two examples with different calibers:

.223, 5.56

A point: 300yds | 7.5" drop
 B point: 400yds | 23.5" drop
 C point: 500yds | 50" drop
 D point: 600yds | 92" drop



.308, 7.62

A point: 285yds | 7.2" drop
 B point: 385yds | 22" drop
 C point: 485yds | 47.4" drop
 D point: 600yds | 92" drop

