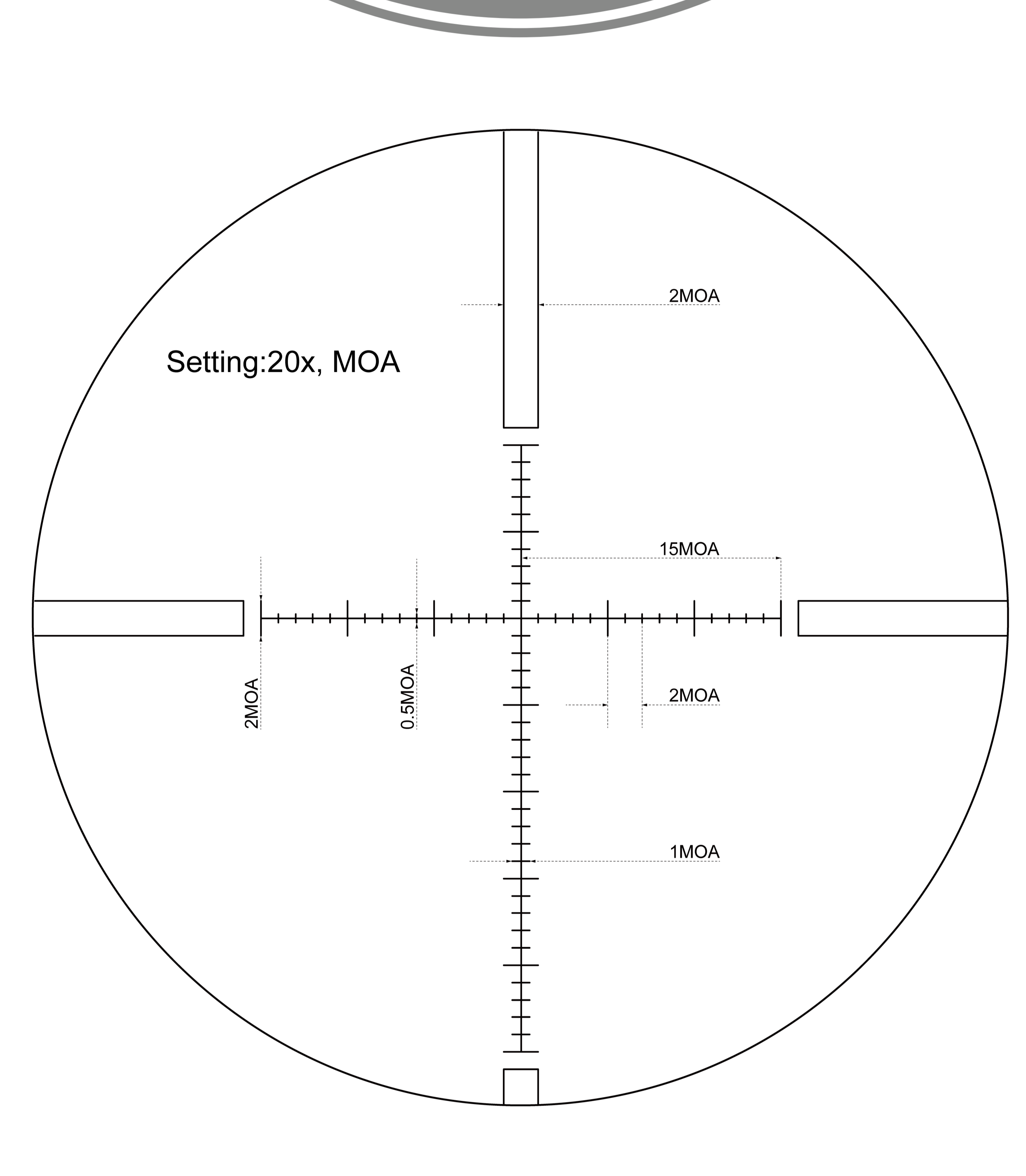
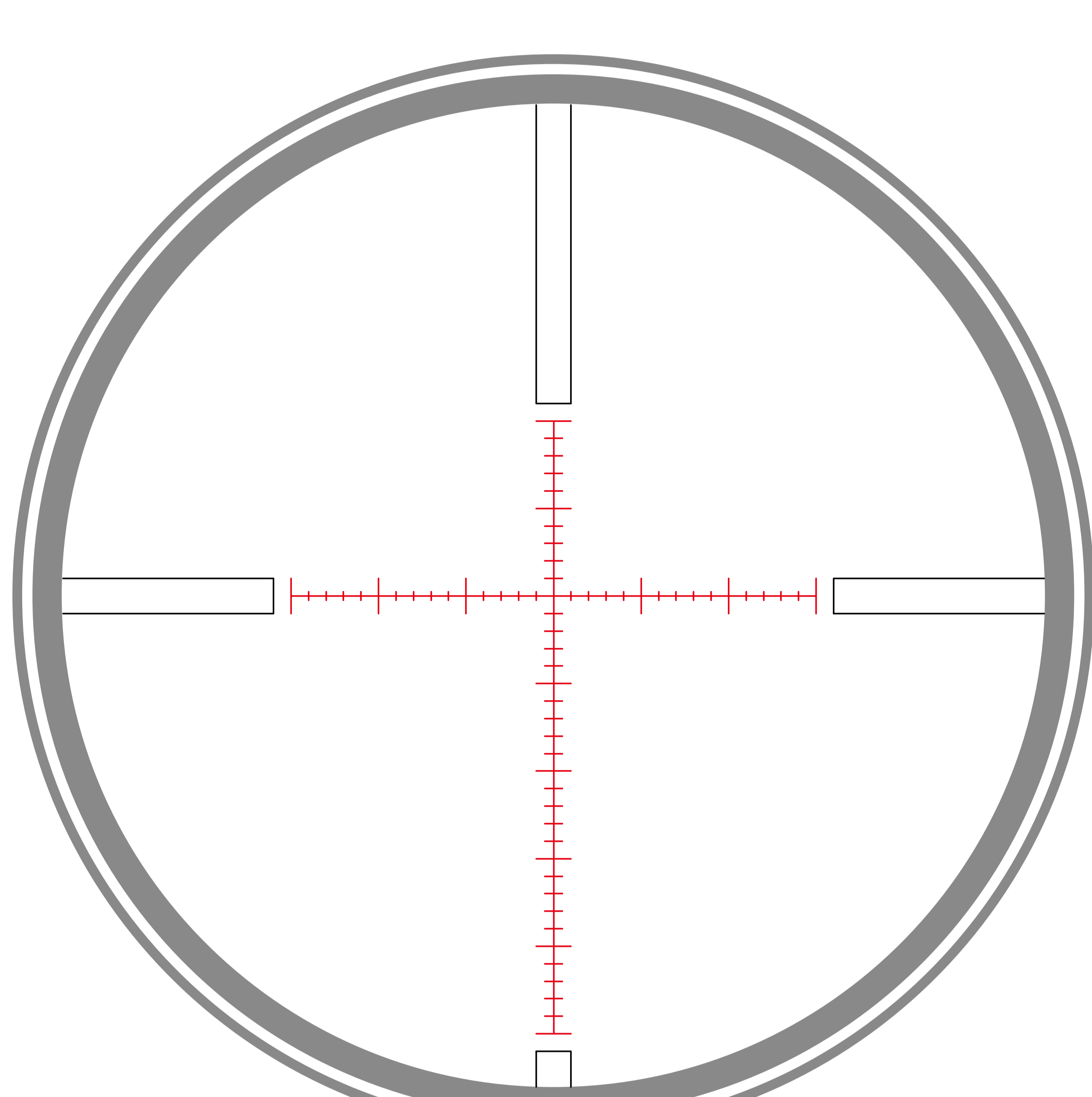
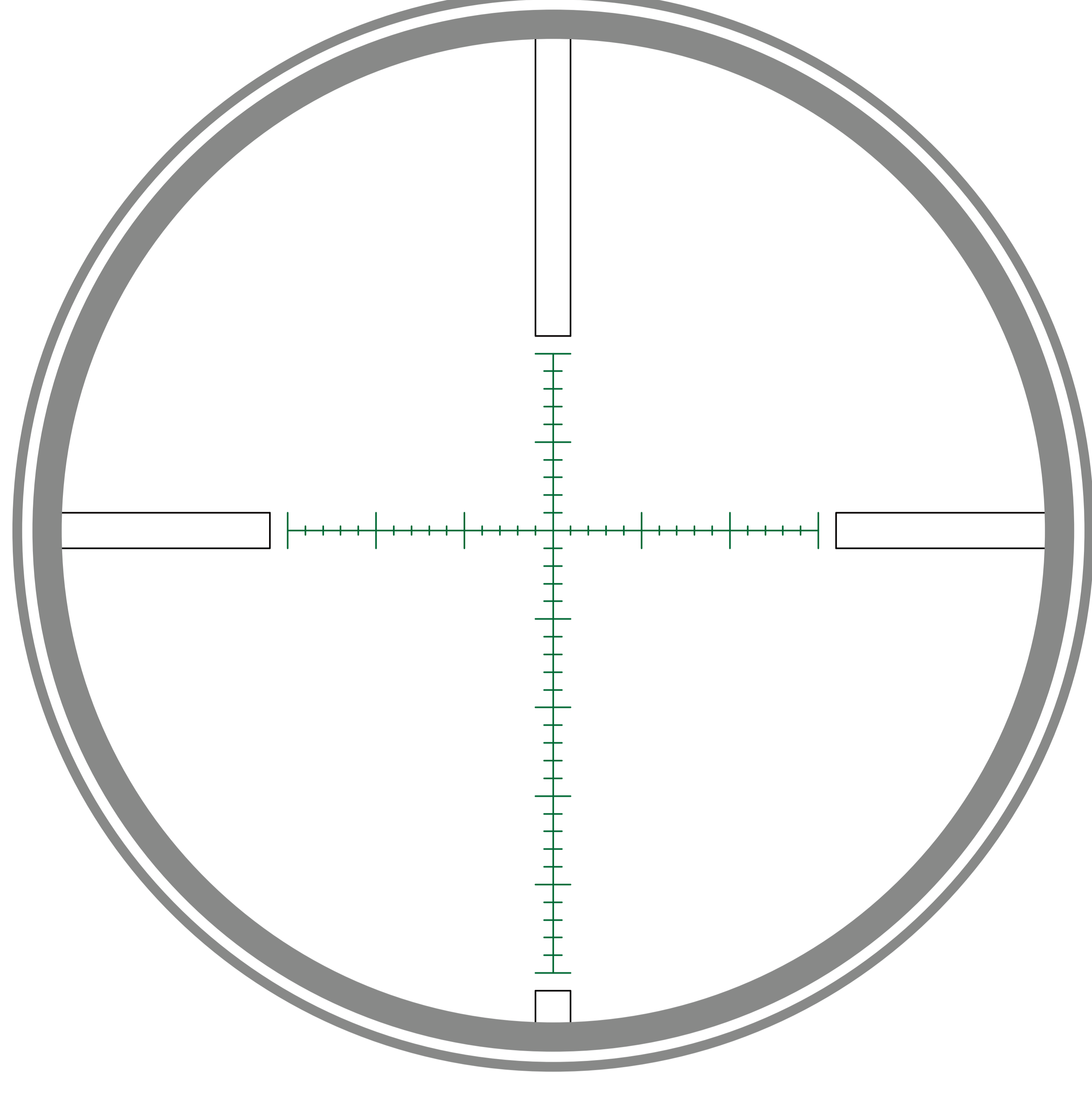
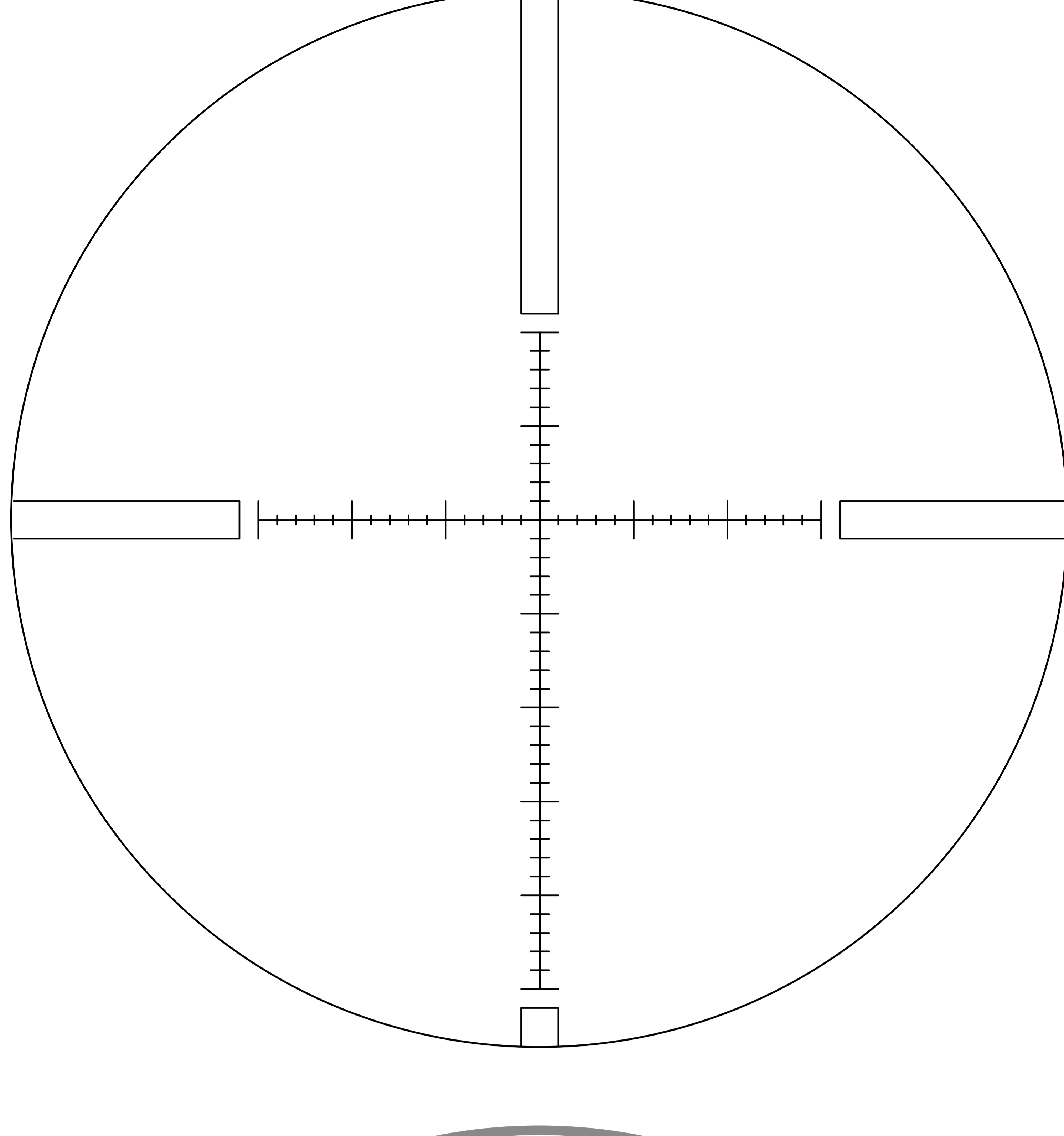
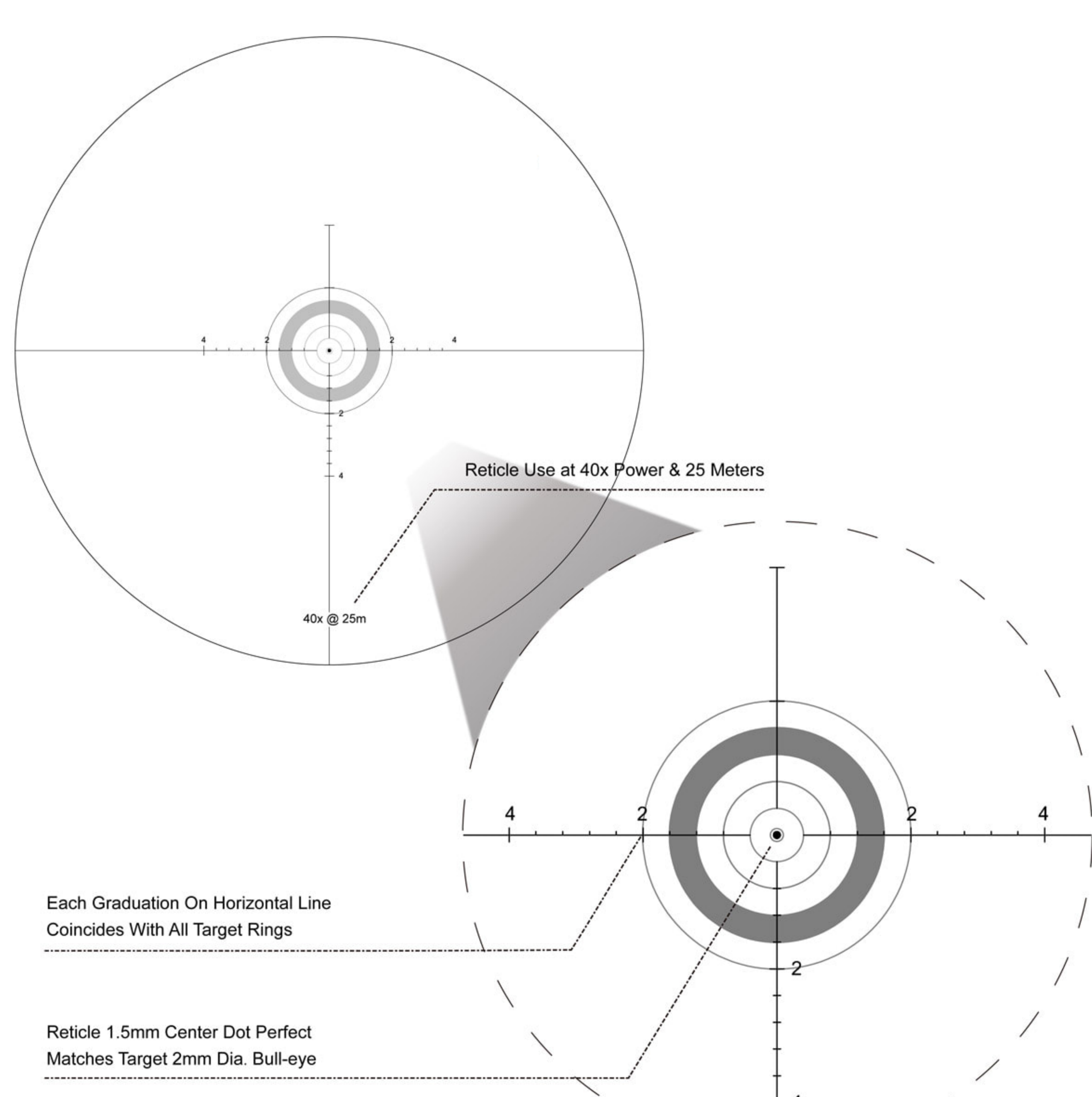
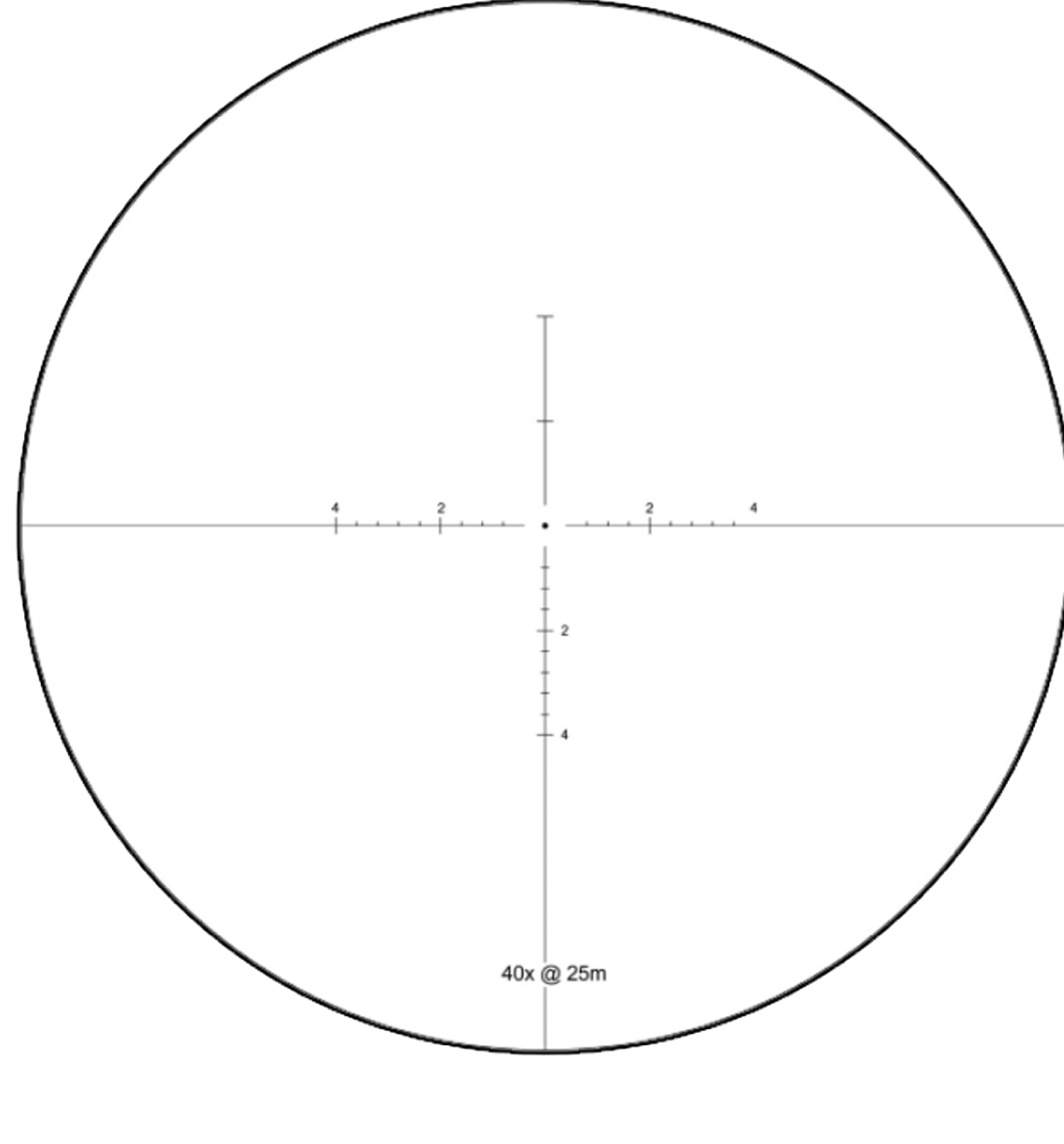


MPR-3



COM-25M



Each Graduation On Horizontal Line
Coincides With All Target Rings

Reticle 1.5mm Center Dot Perfect
Matches Target 2mm Dia. Bull-eye

Reticle Use at 40x Power & 25 Meters